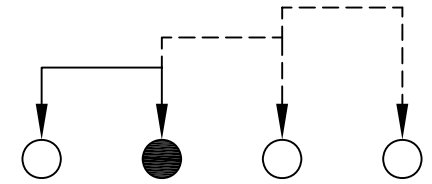
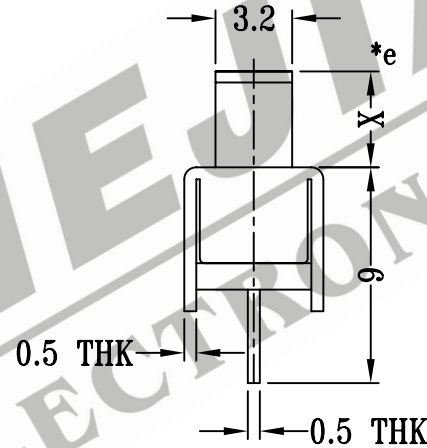
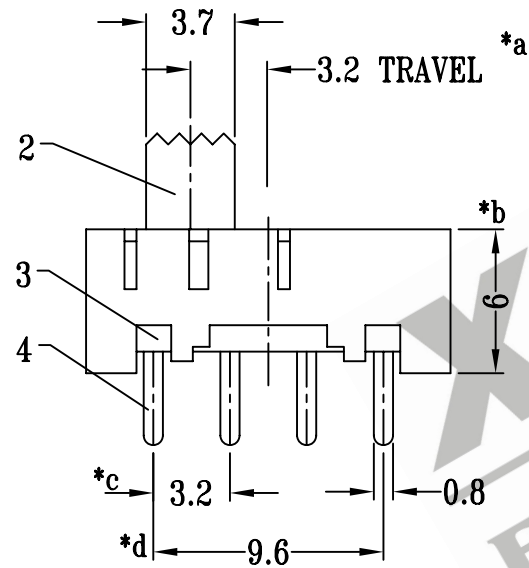
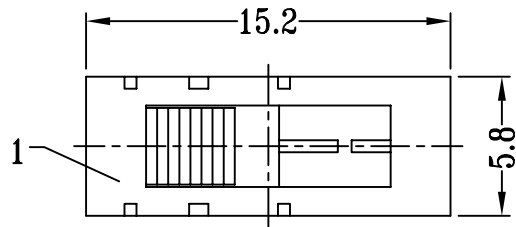
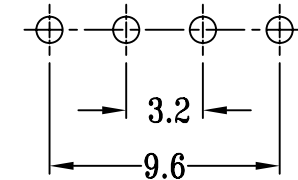


CAD FILE:



SCHEMATIC (NON-SHORTING)



P.C.B LAYOUT

注:带"*"表示关键尺寸(5个)

				TOLERANCE UNLESS SPECIFIED		SHENZHEN XIEJIA ELECTRONICS CO.,LTD.						
				WITHIN: 1.5±0.1mm		ISSUE		DATE		DESCRIPTIONS OF REVISION		APPD.
				OVER: 1.5±0.2mm								
8						TITLE : VERTICAL SLIDE SWITCH				UNIT : mm	DRWG NO.: XJ-DR-SS13F20-00	
7	CONTACT (CLIP)	PBS	1	Ag CLAD	MODEL: SS-13F20				SCALE: 3:1	DWN.	ZHOUYU	2004-10-12
6	STEEL BALL	STEEL	2	NATURAL	ALL MATERIALS MUST BE COMPLIANT TO ROHS				CHK'D	FANGYING	2004-10-12	
5	SPRING	STEEL WIRE	1	TEMPER					APPD.	KANGXINAN	2004-10-12	
4	TERMINAL	BRASS STRIP	4	Ag PLATED OVER Ni PLATED								
3	TERMINAL BASE	PHENOLIC RESIN	1	NATURAL								
2	KNOB	POM	1	BLACK								
1	FRAME	STEEL STRIP	1	Ni PLATED								
NO.	PARTS	MATERIALS	Q'TY	FINISH								